



XTREME POWER

DEEP CYCLE

AGM TECHNOLOGY

DEEP CYCLE AGM BATTERY

XPC12-120

FEATURES & BENEFITS

- True deep cycle AGM technology-GREEN SOLUTION
- Over 99.99% virgin lead for grid plate and active material
- Heavy duty grid/paste design for deep cycle application
- Maintenance free, non-spillable, valve-regulated
- Double separator configuration:long cycle life & High energy density and super anti-vibration design
- Low self-discharge for longer shelf life



ELECTRICAL SPECIFICATIONS

Voltage(V)	Capacity (AH)					Reserve Capacity (Min)		
	100HR	20HR	10HR	5HR	3HR	@25A	@56A	@75A
12	/	120	114	106	100	240	/	68

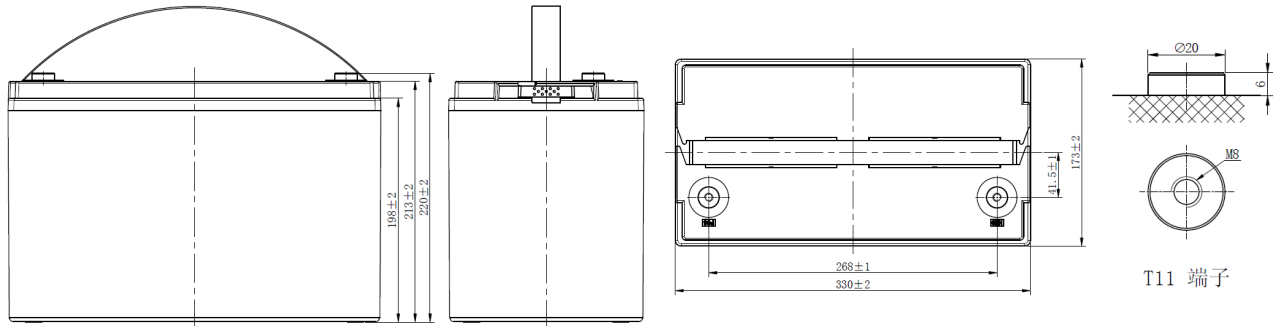
PHYSICAL SPECIFICATIONS

Model	Dimensions (mm/inches)				Weight (kg/lbs)	Terminal Type (Standard)	Case Material
	Length	Width	Height	Total Height			
XPC12-120	330 (12.99)	173 (6.81)	213 (8.39)	220 (8.66)	32.8(73.31)	T11	ABS

Operating Temperature Range		
Discharge	Charge	Storage
-15°C ~ 50°C (5°F ~ 122°F)	0°C ~ 40°C (32°F ~ 104°F)	-15°C ~ 40°C (5°F ~ 104°F)

XPC12-120

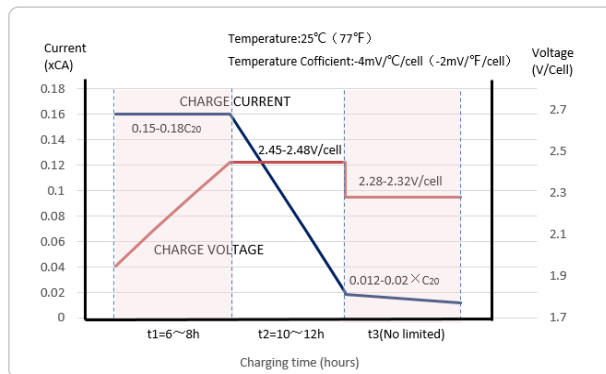
DIMENSIONS



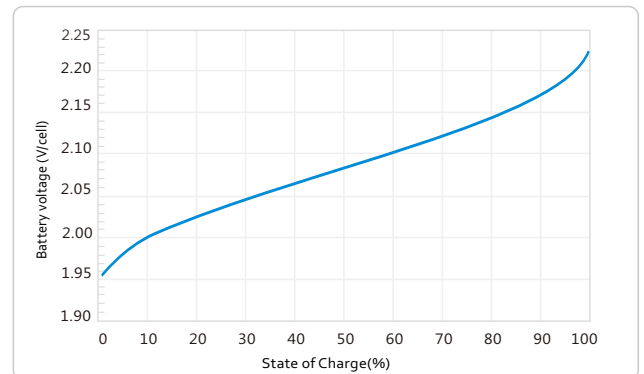
Note: Terminal Torque Values in-lb(Nm) :97. 28-130. 0(11-14. 7)

PERFORMANCE CHARACTERISTICS

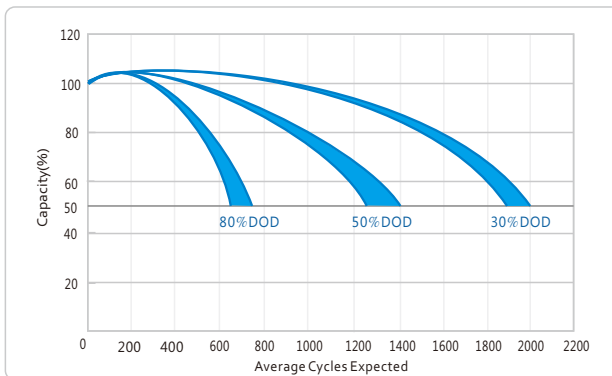
XPC AGM Charging Profile



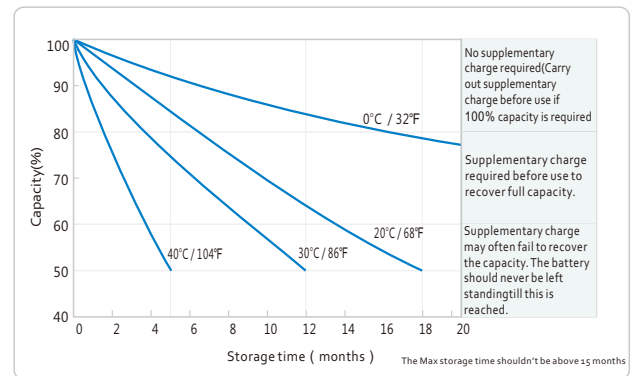
Relationship of OCV and State Of Charge (25°C, 77°F)



Cycle life in relation to Depth Of Discharge



Self-discharge Characteristic



- CLEANTECH GULF
FZS5 AC05, South Zone, Jebel Ali Free Zone
P.O. Box 262387, Dubai, UAE
Tel :+971 4 8865075
E-mail: sales@cleantech-gulf.com
Web: www.cleantech-gulf.com