

M60

THE TRUE **R**EVOLUTION IN HEAVY-DUTY SWEEPING

SCAN
to watch the video



EN

M60



MAIN OPTIONALS



Fully adjustable third front brush that allows to sweep 180° left and right side.



Dumping at any height between 1,1 and 2,3 m.



Rear powerful wandering vacuum hose, 6 m length -140 mm diameter.



Side brush dust suppression skirts for dry dust-free sweeping.

The M60 is the most advanced and performing mechanical-suction sweeper on the market today thanks to years of continuous development. Its **6 cubic meter hopper volume** and **6000 Kg net payload** are unmatched performances that allow this superb sweeper to work in the heaviest-duty conditions, both urban and industrial. **The very large surface filters make the machine work dust-free** even in the dustiest situations. To the well-known and appreciated characteristics and reliability of the ST version, the CanBus (CB) version adds further unparalleled and innovative performances. **THE EXCLUSIVE VERSION M60 ST HS (High-Speed)** allows to travel at max 70 Km/h in Transfer Mode (front-wheels steering with automatic lock of rear wheels), while travelling at max 42 Km/h in Working Mode with 4-WHEELS steering. **UNIQUE!**

CANBUS

Controller Area Network Bus

IT IS AN ADVANCED SYSTEM THAT CONNECTS ALL THE MODULES WORKING THROUGHOUT THE MACHINE SO THAT THEY CAN WORK TOGETHER TO RUN EFFECTIVELY AND EFFICIENTLY. IT IS HIGHLY RELIABLE AS COMING FROM THE AUTOMOTIVE SECTOR:

- USER-FRIENDLY KEYPAD - "EASYSTART" ONE-BUTTON FOR ALL REQUIRED FUNCTIONS ON/OFF
- FRONT/REAR HYDRO-PNEUMATIC "REACTIVE" SUSPENSIONS MACRO LAC® PATENT
- BRUSHES GROUND PRESSURE PNEUMATIC CONTROL, FOR WEAR REDUCTION
- AUTOMATIC CENTRAL AND SIDE BRUSHES RAISE AND WATER SHUT-OFF IN REVERSE
- POSSIBILITY OF AUTOMATIC VACUUM ADJUSTMENT DEPENDING ON THE TYPE OF WORK
- "LOAD SENSING" HYDRAULIC SYSTEM FOR REDUCING FUEL CONSUMPTION AND SERVICE COSTS
- IN-CAB MONITOR WITH PARTIAL/TOTAL HOUR-COUNTER OF ALL MACHINE FUNCTIONS
- DIAGNOSTICS DIRECTLY DISPLAYED ON MONITOR
- REMOTE UPDATE OF ANY POSSIBLE SETTING VIA SIMPLE USB STICK OR NETWORK CABLE
- USER AND PARTS MANUALS SUPPLIED CAN ALSO BE CONSULTED ON MONITOR
- ACQUISITION, DISPLAY AND RECORDING OF ANY OPERATION DATA



Very large volumes of dry collected waste. 6 m³ hopper and 6000 kg payload is the highest capacity on the market, allowing long working shifts.



Sweeping and climbing over 20% full-load. The 4-wheel steering gives the M60 excellent manoeuvrability in all working conditions.



Exclusive capability to sweep in unbalanced conditions (ex. sidewalks). The system allows to sweep on bumps with no operator's action required.



Spacious and comfortable cabin with 3 homologated seats and user-friendly controls.



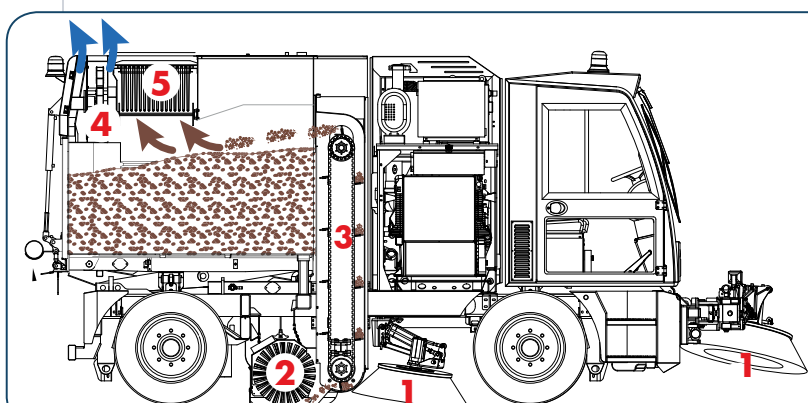
Easy-to-use keypads to operate the machine. "EasyStart" single button for all required functions on/off (CB).



Large retention dust filter to work dust-free in any situation, with filtration level available up to PM 1 (optional).

MAIN TECHNICAL FEATURES

	M60 ST	M60 CB	M60 ST HS HIGH-SPEED
SWEEPING WIDTH			
• with central roll-brush only	1300 mm	1300 mm	1300
• with central roll-brush and right-hand side brush	2000 mm	2000 mm	2000
• with central roll-brush and 2 side brushes (standard)	2700 mm	2700 mm	2700
• with central brush, 2 side brushes and 3rd front brush (opt)	3600 mm	3600 mm	3600
HOPPER AND WATER TANK			
Hopper volume	6 m ³	6 m ³	6 m ³
Net payload	6000 Kg	6000 Kg	6000 kg
Hopper dumping height	1,1m (opt÷2,30m)	1,1m (opt÷2,30m)	1,1m (opt÷2,30m)
Water tank capacity (with optional water spraying system)	620 l / (opt 1220 l)	620 l / (opt 1220 l)	620 l / (opt 1220 l)
ENGINE AND DRIVE SYSTEM			
Mercedes diesel engine Tier3A Intercooler water cooled	110 kW/147 Hp	110 kW/147 Hp	-
Mercedes diesel engine Tier3A Intercooler water cooled	-	-	129 kW / 173 Hp
Mercedes diesel engine Intercooler Euro5 AdBlue® water cooled	130 kW /174 Hp	130 kW /174 Hp	-
Mercedes diesel engine Intercooler Euro6 AdBlue® C level water cooled	130 kW /174 Hp	130 kW /174 Hp	-
Driving system	hydrostatic	hydrostatic	hydrostatic
Maximum speed	42 Km/h	42 Km/h	70 Km/h (TRANSFER MODE) 42 Km/h (WORKING MODE)
Maximum gradient full load	>20 %	>20 %	>20 %
OTHER FEATURES			
Control system	Electro-hydraulic	CAN BUS	Electro-hydraulic
Min. Turning radius	3900 mm	3900 mm	3900 mm
Steering system	4-wheel power st.	4-wheel power st.	2-wheel power st.(TRA. MODE) 4-wheel power st.(WOR. MODE)
Full load weight (without/with 3rd front extendable brush)	13250/13400 Kg	13250/13400 Kg	13250/13400 Kg
Dimensions with 3rd front extendable brush (length x width x height)	6120x2200x2900 mm	6120x2200x2900 mm	6120x2200x2900 mm



MECHANICAL-SUCTION SYSTEM

The waste is collected by the mechanical action of the side (1) and central (2) brushes and the vertical loading conveyor (3). The suction (4) is only aimed at capturing the dust as soon as it's raised up from the floor. The suction is optimized to allow the full suppression of dusts thanks to large surface filter (5).

MACRO•CLEAN

Established in 1991 Macro enjoys a long experience in steel fabrication, as well as in the manufacturing of cleaning equipment for major international brands and of large sweepers. Inheriting and developing Macro advanced technology along with RCM large organization, Macroclean has rapidly become a leader in the production and sales of road and industrial sweepers and today offers the widest range of mechanical-suction sweepers from 0,3 to 6 m³.

MACROCLEAN S.r.l. ph. +39 0523 248636 www.macroclean.it info@macroclean.it
Operational Headquarter: Via Bonati 13, Fiorenzuola D'Arda (PC) - Registered Head Office: Via Tiraboschi 4, Casalalbo (Mo) - Italy